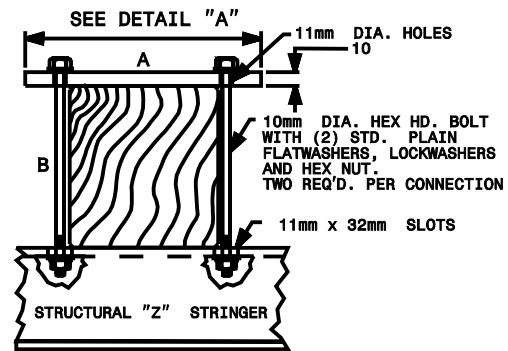
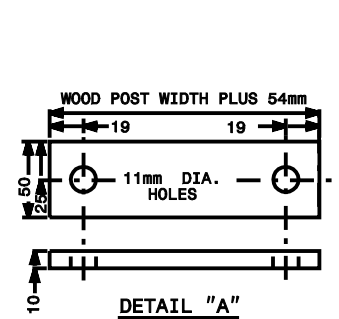


38mm x 10mm ALUM. BAR
STIFFENER, 3 REQ'D.
(SEE NOTE #7)

NOTES:

1. USE THE SIZE, NUMBER, LENGTH AND TYPE OF SUPPORTS SHOWN IN THE PLANS. USE WOOD POSTS THAT CONFORM TO SECTIONS 1082-2 AND 1082-3 OF THE 2002 NCDOT STANDARD SPECIFICATIONS FOR ROADS AND STRUCTURES.
2. MOUNT ALL WOOD POSTS THAT DO NOT HAVE DRILLED HOLES BEHIND GUARDRAIL, EXCEPT THE 100mm X 100mm WOOD POSTS.
3. FOR WOOD POSTS, DRILL THE BOTTOM HOLE 100mm ABOVE THE GROUND AND THE TOP HOLE 450mm ABOVE THE GROUND. SEE CHART FOR POST SIZES AND DRILLED HOLE SIZES. DRILL HOLES PERPENDICULAR TO THE DIRECTION OF TRAVEL. DUAL SUPPORTS MUST BE AT LEAST 2134mm APART. (SEE DETAIL "B")
4. LOCATE ALL WOOD POSTS THAT ARE 200mm X 200mm EITHER BEHIND GUARDRAIL OR LOCATED SO THAT THE POSTS COULD NOT BE HIT BY TRAFFIC.
5. FURNISH ALL MOUNTING HARDWARE.
6. USE GALVANIZED STEEL BACKING PLATES AND MOUNTING BOLTS.
7. ADJUST STIFFENERS TO AVOID CONFLICTS WITH SUPPORTS.
8. FOR LVL POSTS, DRILL THE BOTTOM HOLE 75mm ABOVE THE GROUND AND THE TOP HOLE 450mm ABOVE THE GROUND. SEE CHART FOR POST SIZES AND DRILLED HOLE SIZES. DRILL HOLES PERPENDICULAR TO THE DIRECTION OF TRAVEL. DUAL SUPPORTS MUST BE AT LEAST 2134mm APART. (SEE DETAIL "B")
9. DRILL HOLES IN THE CENTER OF THE SUPPORTS.

Note:
This drawing is dimensioned in millimeters unless otherwise depicted within the drawing.



POST SIZE AND DRILLED HOLE SIZE

A	B	HOLE SIZE	EMBEDMENT
100	100	N/A	1.067m
100	150	38	1.372m
150	150	51	1.600m
150	200	76	1.829m
200	200	N/A	1.981m
M	200	200	SEE DETAIL
L	200	380	1.981m

