

STATE OF
 NORTH CAROLINA
 DEPT. OF TRANSPORTATION
 DIVISION OF HIGHWAYS
 RALEIGH, N.C.

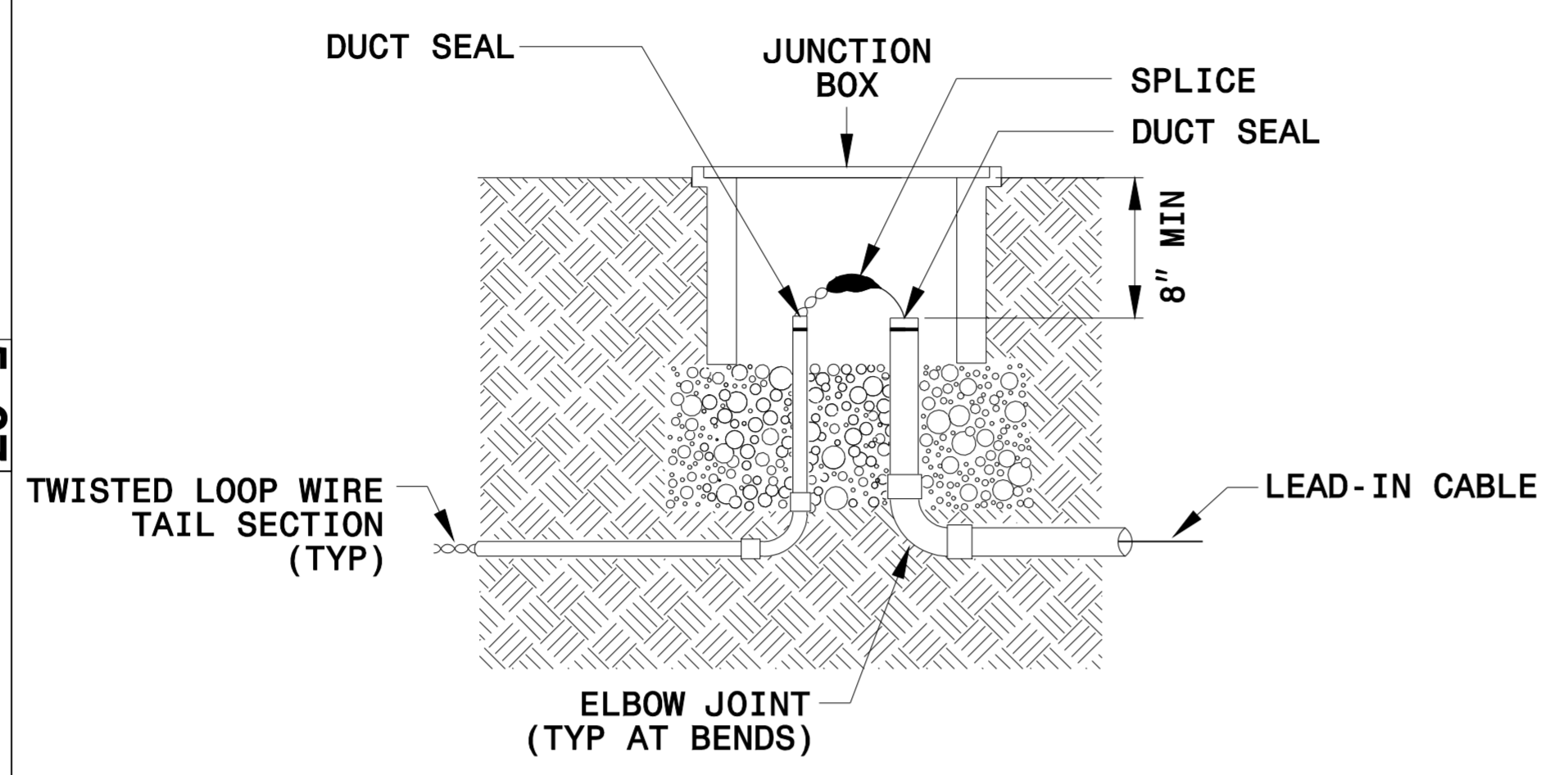
5-07

ENGLISH DETAIL DRAWING FOR
INDUCTIVE DETECTION LOOPS
 LOOP WIRE DETAILS

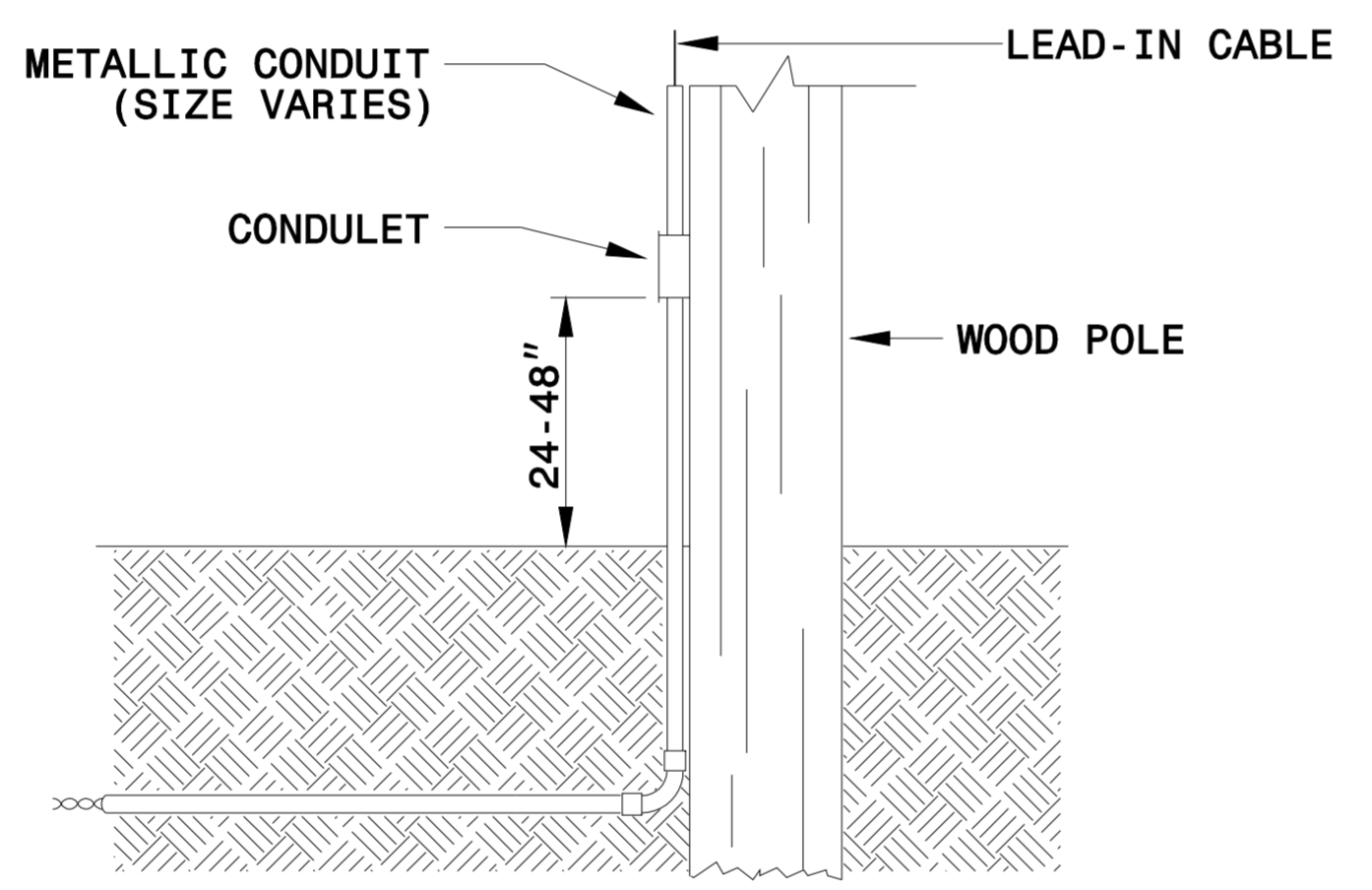
SHEET 2 OF 3
1725D01

LOOP WIRE SPLICE POINT DETAILS

LOOP WIRE AT JUNCTION BOX



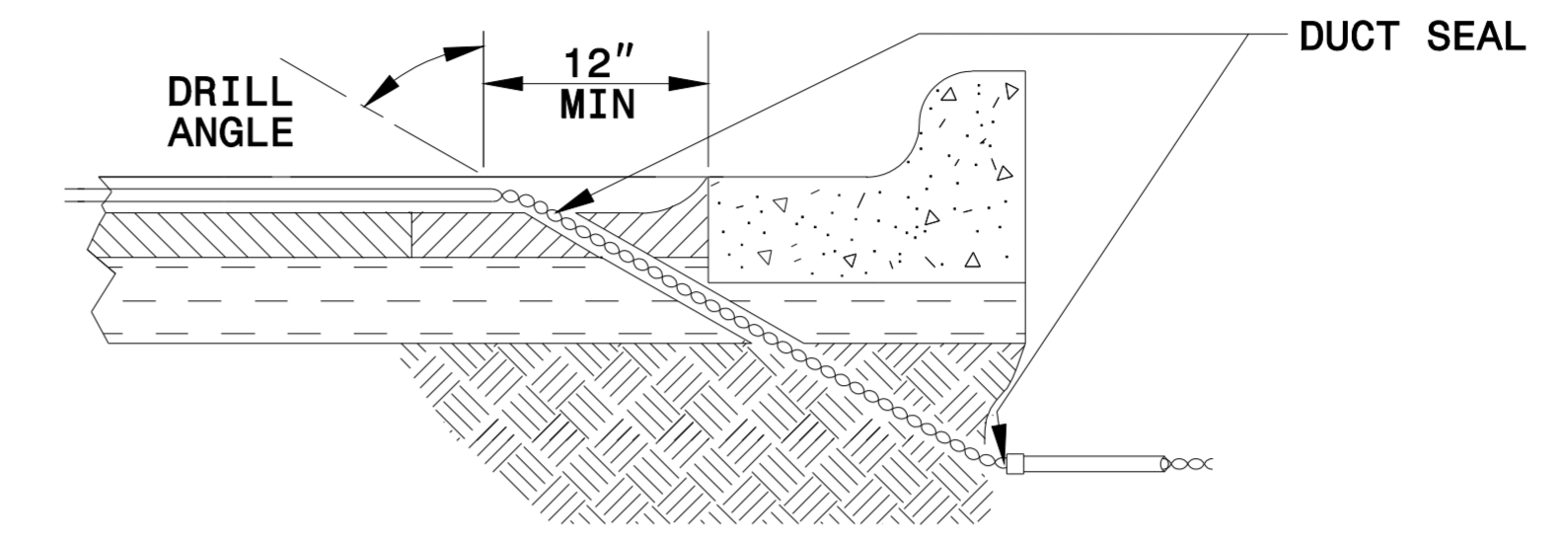
LOOP WIRE AT POLE



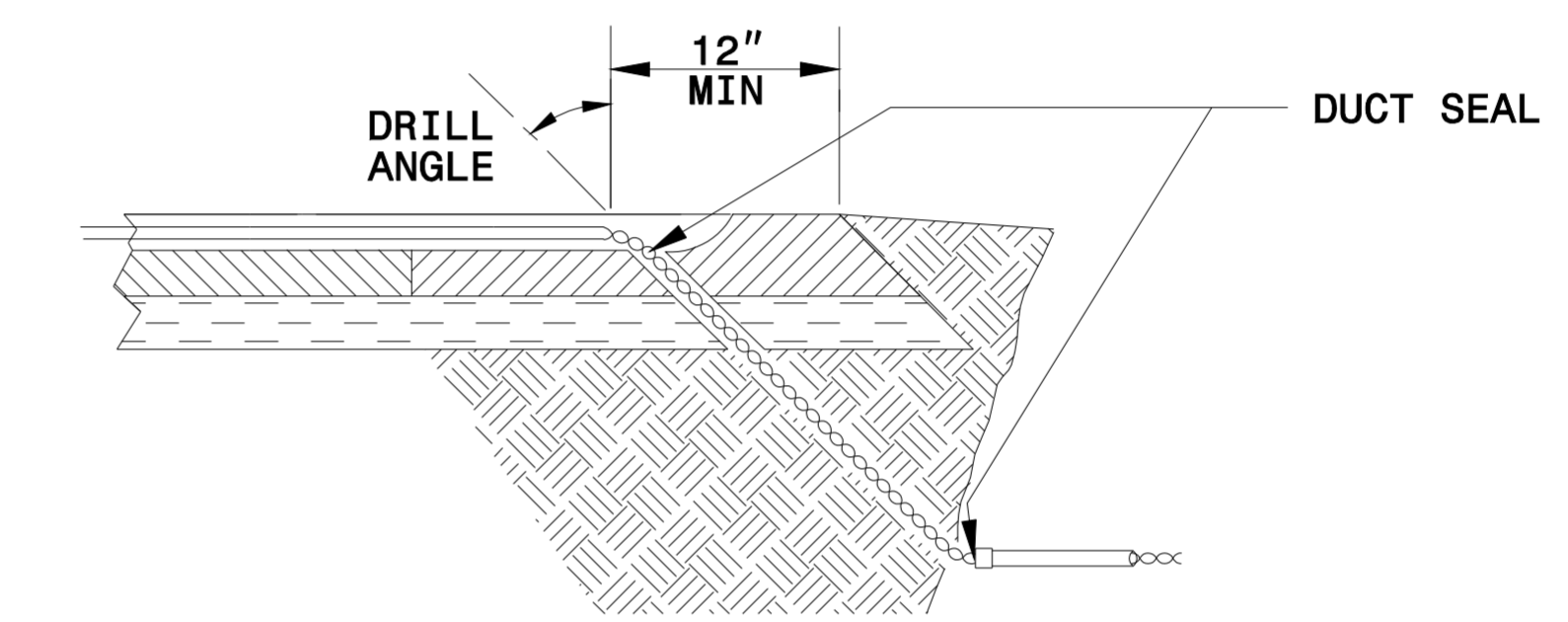
NOTE
 SPLICE ALL LOOP WIRE TAIL SECTIONS/LEAD-IN CABLE
 IN JUNCTION BOXES OR APPROVED CONDULETS.

LOOP WIRE PAVEMENT EDGE DETAILS

LOOP WIRE AT CURB & GUTTER SECTION



LOOP WIRE AT PAVEMENT SECTION



NOTES

1. DO NOT EXCAVATE UNDER CURB AND GUTTER SECTIONS FOR CONDUIT INSTALLATION.
2. TWIST LOOP WIRE TAIL SECTIONS FROM WHERE LOOP WIRE TAIL LEAVES SAW CUT TO JUNCTION BOX, INCLUDING THROUGH CONDUIT.
3. BEFORE SEALING LOOPS, INSTALL DUCT SEAL WHERE LOOP WIRE TAIL SECTION LEAVES SAW CUT IN PAVEMENT AND AT ENTRANCE OF CONDUIT TO JUNCTION BOX.

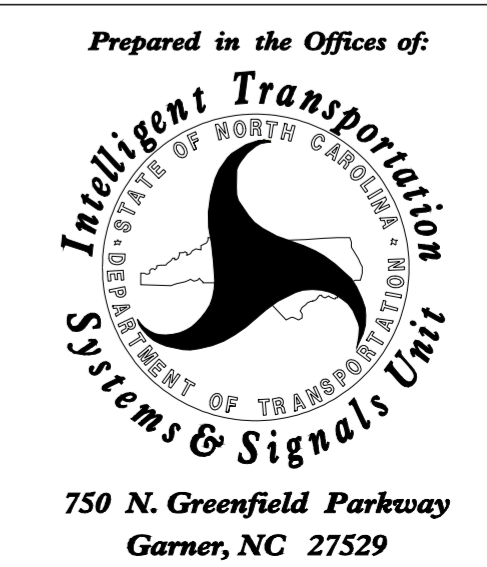
STATE OF
 NORTH CAROLINA
 DEPT. OF TRANSPORTATION
 DIVISION OF HIGHWAYS
 RALEIGH, N.C.

5-07

ENGLISH DETAIL DRAWING FOR
INDUCTIVE DETECTION LOOPS
 LOOP WIRE DETAILS

SHEET 2 OF 3
1725D01

See Plate for Title



SEAL

SIGNATURE DATE

\$\$\$\$\$SYTIME\$\$\$\$\$
 \$\$\$\$\$\$DONORS\$\$\$\$\$
 \$\$\$\$USERNAME\$\$\$\$\$