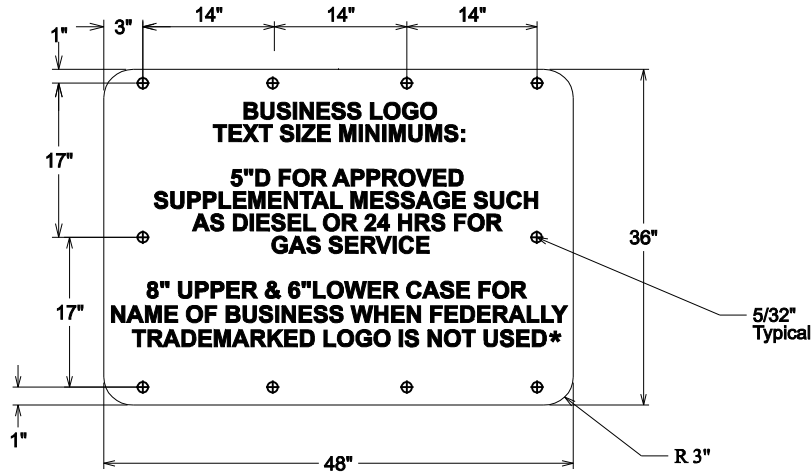
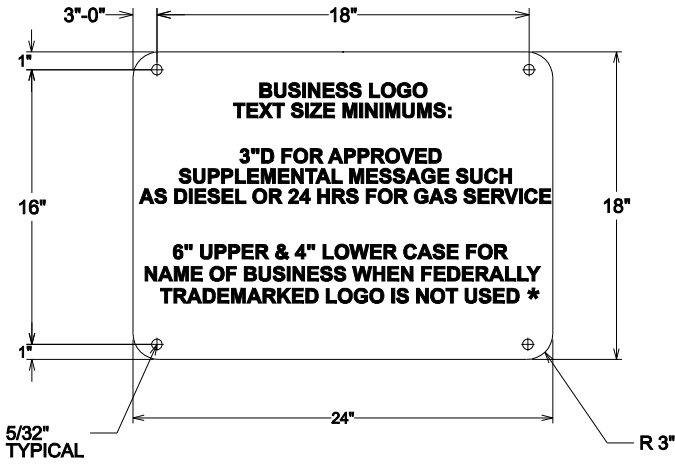


# LOGO BUSINESS PANEL DETAILS

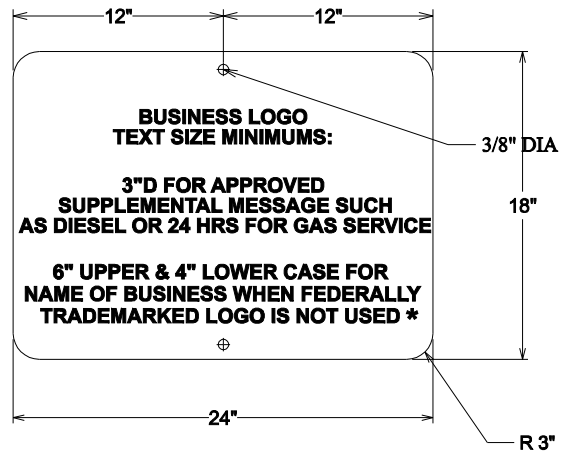
## MAINLINE



## RAMP



## TRAILBLAZING SIGNS



\* WHEN A BUSINESS DOES NOT HAVE A FEDERALLY TRADEMARKED LOGO, BUT HAS A PICTORAL DESIGN OR SYMBOL WITHIN THE LOGO PANEL DESIGN, THE MINIMUM LETTER SIZE FOR THE NAME OF BUSINESS MUST BE MET. THE LOGO DESIGN MUST NOT BE SIMILAR IN PART OR OVERALL TO ANY TRADEMARKED LOGO. WORDS WITHIN FEDERALLY TRADEMARKED LOGOS DO NOT HAVE A MINIMUM LETTER SIZE REQUIREMENT.

**MATERIALS:** 6061-T6 OR 5052 H38 AND HI-INTENSITY TYPE III OR GREATER REFLECTIVE SHEETING  
THE SIGN SHALL BE FABRICATED FROM FLAT SHEET ALUMINUM OF 0.063 INCH MINIMUM AND 0.125 MAXIMUM THICKNESS.

BUSINESS: \_\_\_\_\_ COUNTY: \_\_\_\_\_ NO. ML: \_\_\_\_\_  
 AGREEMENT NO: \_\_\_\_\_ ROUTE: \_\_\_\_\_ NO. RP: \_\_\_\_\_  
 EXIT: \_\_\_\_\_ NO. TB: \_\_\_\_\_