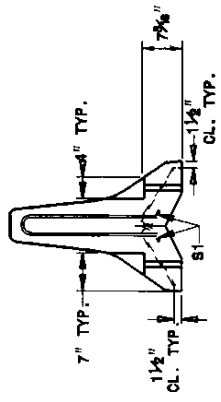
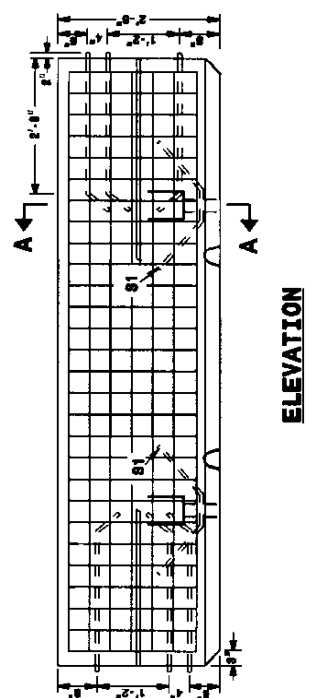
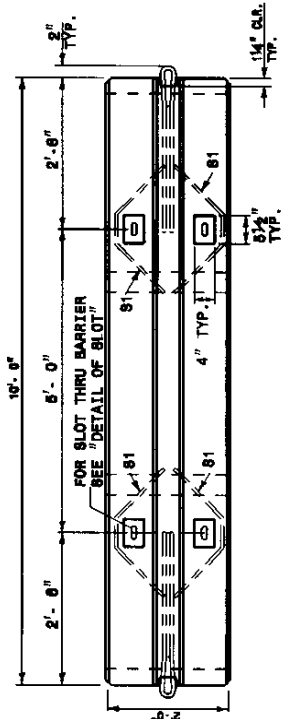


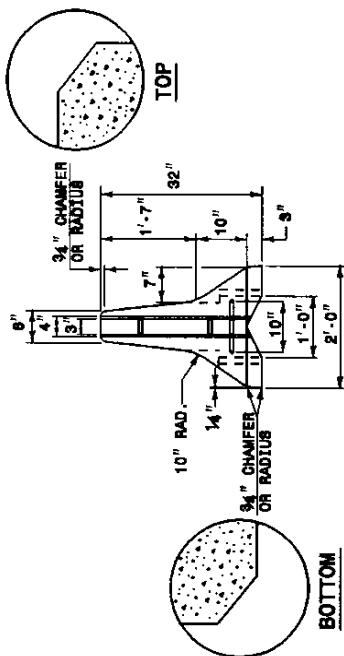
STATE OF
NORTH CAROLINA
DEPT. OF TRANSPORTATION
DIVISION OF HIGHWAYS
RALEIGH, N.C.

ENGLISH DETAIL DRAWING FOR
PORTABLE CONCRETE BARRIER
ANCHORED

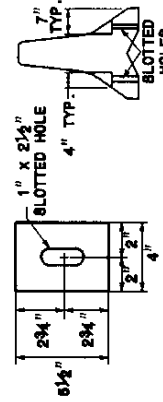
SHEET 2 OF 4
1170D01



SECTION A-A



END ELEVATION



AFTER CASTING, THE DIAMETER OF THE
SLOT CAN VARY BETWEEN 1" AND 1 1/8".

NOTE: REFER TO STD. DWG. 1170.01-SHEET 4 FOR
METHODS OF ANCHORING TEMPORARY BARRIER.

STATE OF
NORTH CAROLINA
DEPT. OF TRANSPORTATION
DIVISION OF HIGHWAYS
RALEIGH, N.C.

ENGLISH DETAIL DRAWING FOR
PORTABLE CONCRETE BARRIER
ANCHORED

SHEET 2 OF 4
1170D01